

INSTRUCTION MANUAL

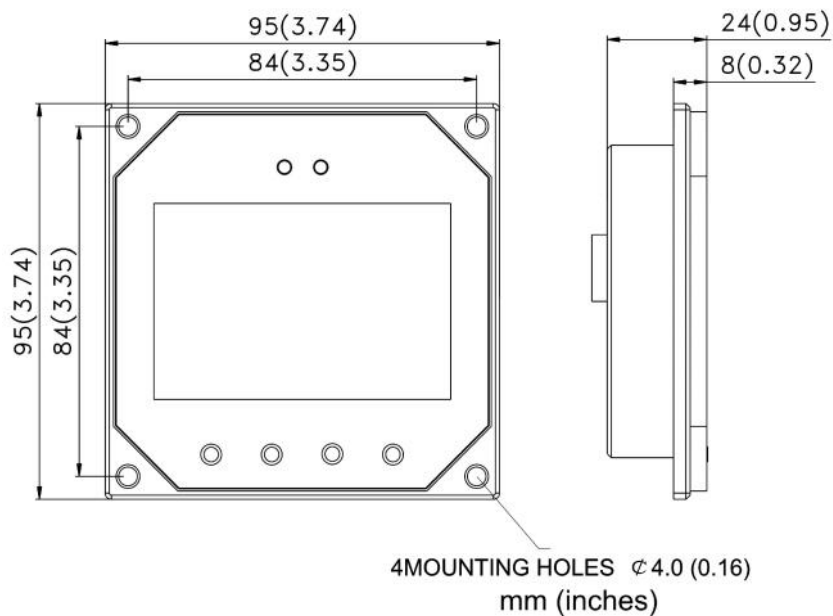
----- METER (MT-1) for EPIPDB-COM series controller



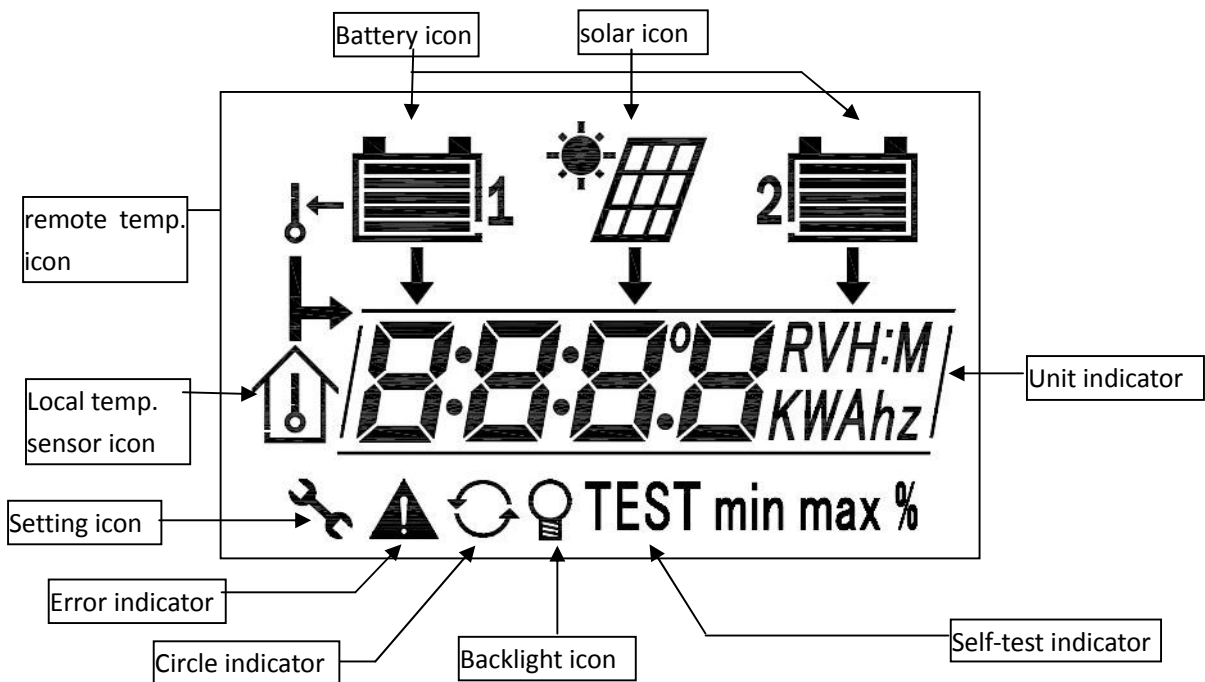
CONTAINS:

Wall mounting board, can be mounted in or on the wall. With 10 meter cable

MOUNTING DIMENSION:



REMOTE METER DISPLAY:



LEDs on the top of the LCD

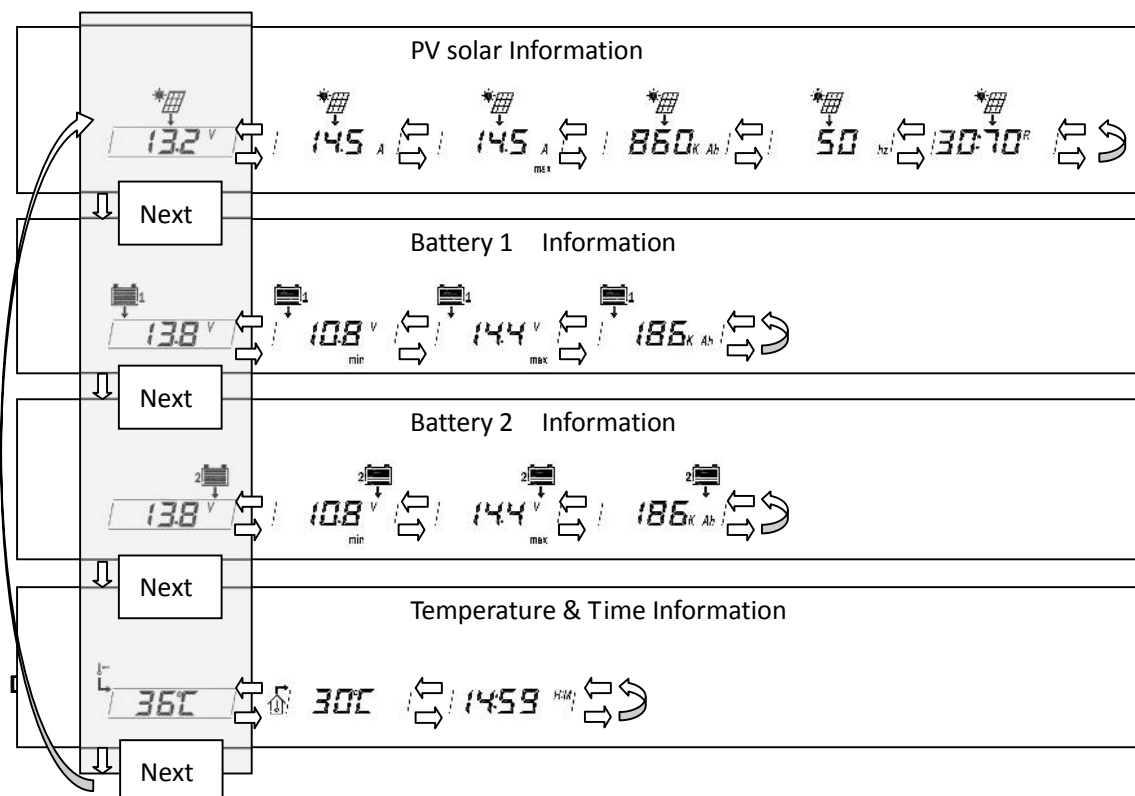
1. Charging led: green on, charging
2. Error led: red on, error

REMOTE METER OPERATION INSTRUCTION:

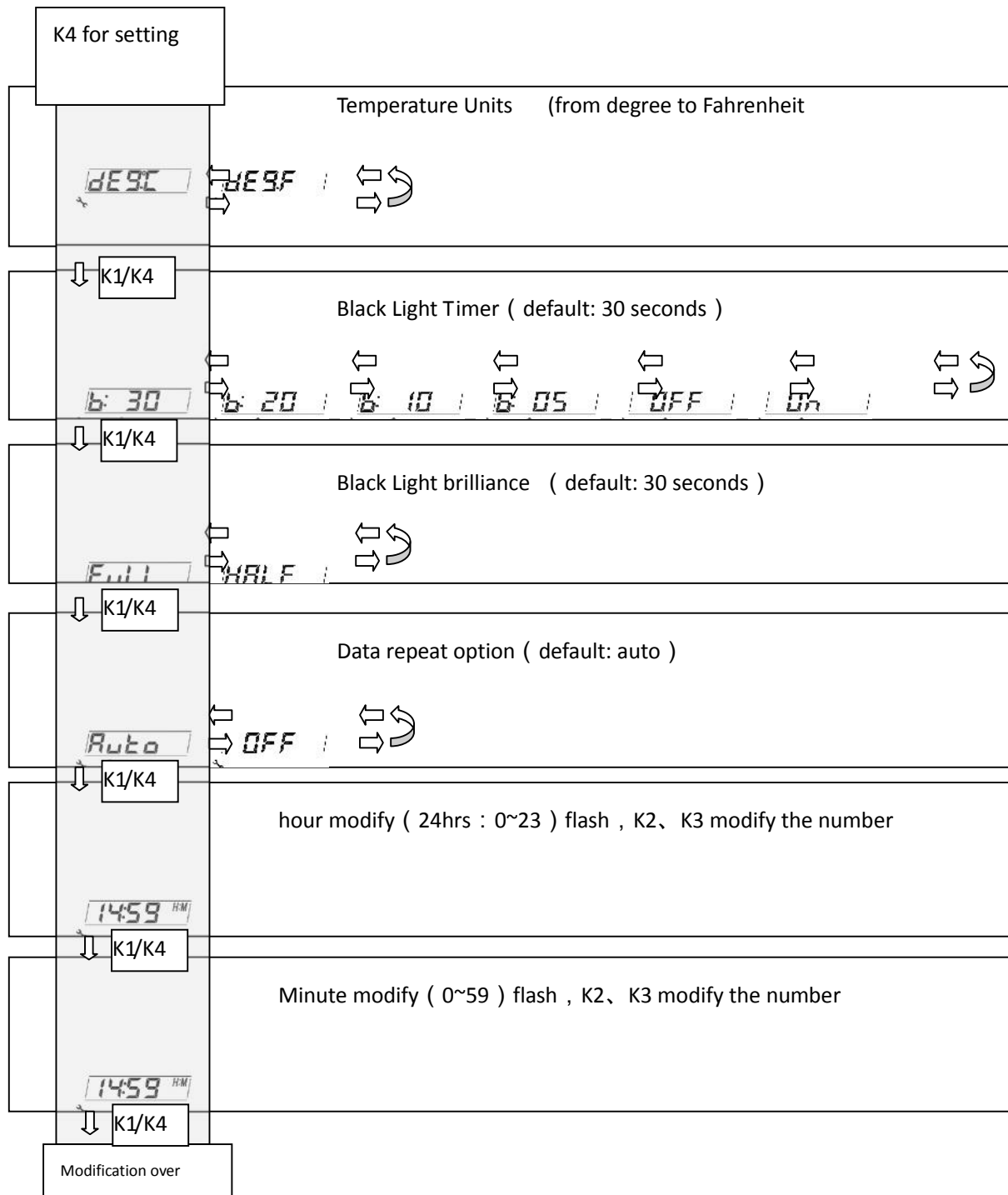
the key(from left to right) is: K1-K4, or Next \downarrow , Left \leftarrow , Right \rightarrow , Set \circ .

The meter display as following order:

Solar panel, battery 1, battery 2, other data as four team data. Use K2 or K3 to check the data between the teams. Symbol \curvearrowright is the repeat between the team 1 and team 4. K1 is the key for repeating the data of the team. Data shows as following picture.



for next data, without save. K2 and K3 for modify the data, shows as following picture.



1. Temperature option:

- ✧ dEg.°C Celsius scale(°C)
- ✧ dEg.F Fahrenheit(F)

2. Backlight instruction: press any key while its connected, the backlight will be on. And set the backlight timer on setting mode. Backlight options:

- | | |
|---|--|
| OFF: backlight is off all the time | On: backlight is on all the time in any case. |
| B: 30 backlight on for 30 seconds | B: 20 backlight on for 20 seconds |
| B: 10 backlight on for 10 seconds | B: 05 backlight on for 5 seconds |

Note: backlight timer calculated as the last key press. And backlight has 2 class:

FULL: high bright

HALF: low bright

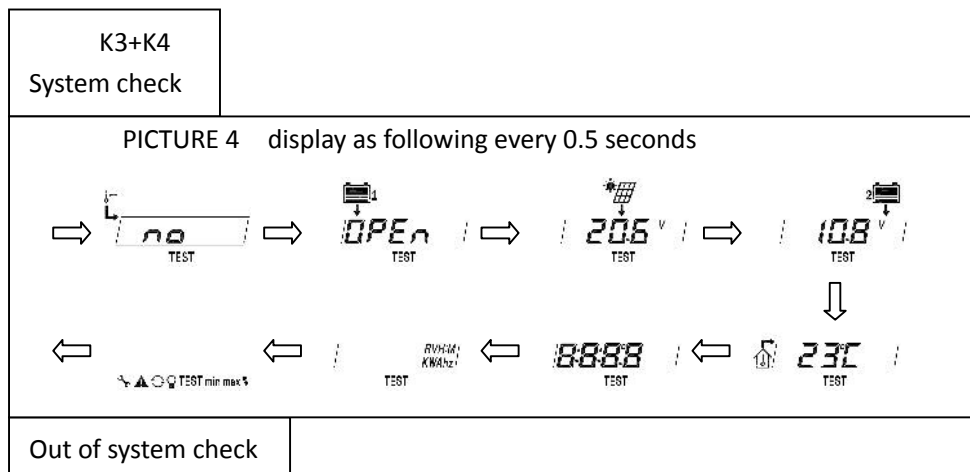
3. Data repeat: auto or manual, options as following:

Auto each team data will repeat every 3 seconds, K1 for next team. K2, K3 for data repeating in the team.

OFF data will not repeat automatically, unless press K2 or K3, or K1 for the next team data.

4. Clock adjust: hour, minute flash, press K2, K3 modify the data, press K4 for save it.

System checking: at any time, press K3+K4, it will check and display the related data automatically. Details as PICTURE 4. If there is NO, means there is no connection. If the connections is correct, the related data will be displayed. If no remote temperature sensor is connected, the meter will show thermometer and NO. if connection is correct, it will show the data it detects. **OPEN** means no battery connection or over voltage, the data will be displayed while the connection is right.



Data erase to 0: at any time, press K1+K2 , the data will be erased to 0, such as max, min, Ah. AH accumulate from 0.

OTHER INSTRUCTION:

Specifications:

Rated voltage: 12V, min voltage(suggest): 8.0V.

Strong backlight on: <23mA,


Low backlight on: <20mA

Backlight and LED indicator off: <17mA

Operation temperature: -40°C ~ +60°C

LCD operation temperature: -10°C ~ +40°C

Humidity: 0-100%
Communication cable: RJ45(8PIN), 10 meter.

Trouble indicator on  : following occasion may occur, check the connection. And the symbol will disappear automatically when it resume.

1. While one battery disconnect, or open circuit, or over voltage.
2. The remote temperature sensor is no probe.
3. Over charging current
4. Solar PV short-circuit.

Telecommunication port: while the meter run by individual power or the communication cut off, it displays 4 pieces of “_”. Press key, no answer. The display will resume while communications is on.

Note: the data displayed got from the communication, check if the cable correct while the data is error, or if there is strong interference. Too long cable may bring mistakes too. The data will update every 20 seconds.

Battery capacity strip flash: each strip equals to 20% of battery capacity. The over part will be showed as flashing. For example, the first trip flash, the battery capacity is 1-19%, the second trip flash, it is 21-39%, etc.

Note: the calculation takes fully charged voltage as 100%, and over discharged as 0%. All is based on battery voltage, not the real battery capacity.

Battery capacity AH: AH is the accumulation of charging, each one minute will count. The data is not accurate while the charge current is too small. The min. is 1AH, means 1amps charging for 1 hour, AH comes to show.